

6

5

4

3

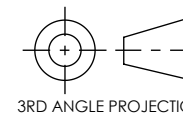
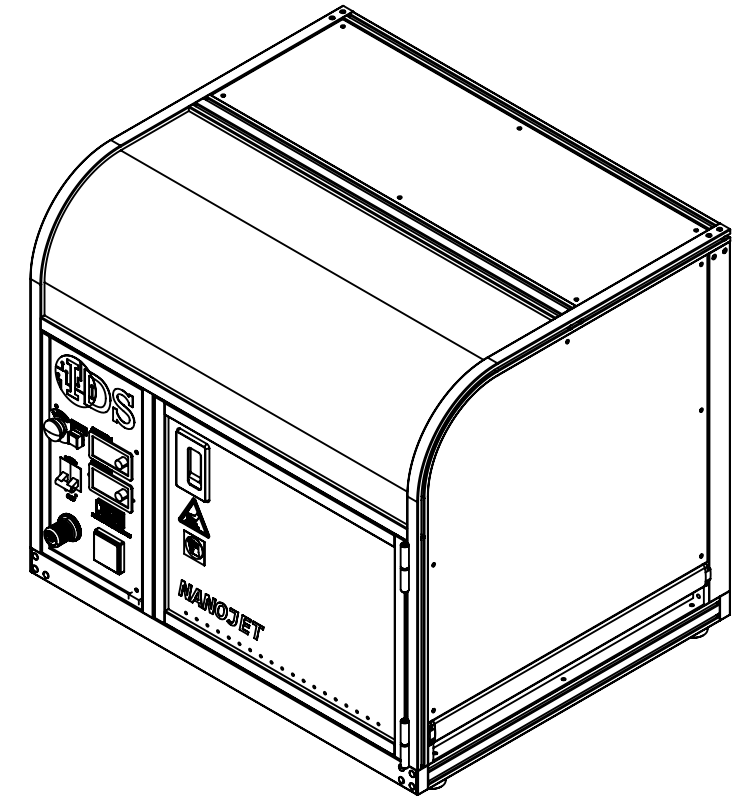
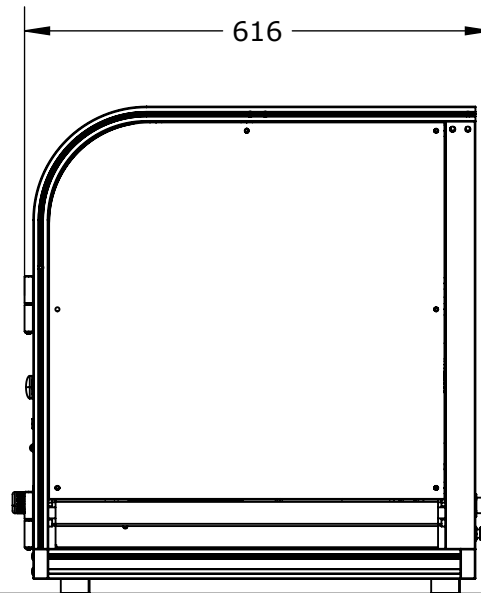
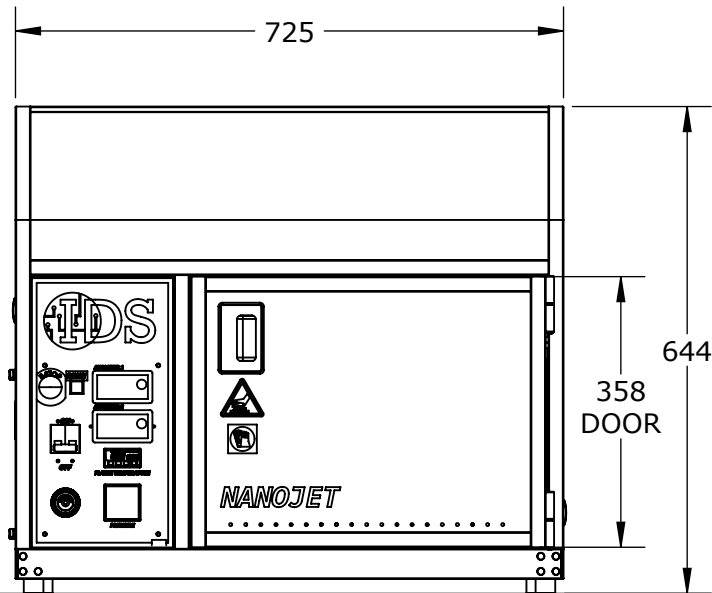
2

1

NOTES

- 1. SYSTEM WEIGHT: 66 KG (114 KG CRATED FOR SHIPPING)
- 2. MAIN ENCLOSURE: 73 X 62 X 63 CM (W X D X H)
- 4. POWER REQUIREMENTS: 120 VAC 50/60 HZ 5 A
- 5. GAS SUPPLY REQUIREMENTS: CLEAN DRY AIR OR LABORATORY GRADE NITROGEN, MINIMUM 0.7 BAR 500 SCCM, 3.4 BAR MAX
- 6. OPTIONAL PLATEN VACUUM SUPPLY: 8 INHG
- 7. COOLING WATER REQUIREMENTS: 2 LPM MIN, 100 WATT MIN
- 8. 5 - 40°C AMBIENT
- 9. 20-95% HUMIDITY NON-CONDENSING
- 10. 2000 M MAXIMUM ALTITUDE

REVISIONS				
ZONE	REV.	DESCRIPTION	DATE	EC
	B	VACUUM AND POWER SOCKET NOTES	1/21/2026	01992 01943 02122



3RD ANGLE PROJECTION

PROPRIETARY AND CONFIDENTIAL
 THE INFORMATION CONTAINED IN THIS DRAWING IS THE SOLE PROPERTY OF IDS (INTEGRATED DEPOSITION SOLUTIONS, INC). ANY REPRODUCTION IN PART OR AS A WHOLE WITHOUT THE WRITTEN PERMISSION OF IDS IS PROHIBITED.

UNLESS OTHERWISE SPECIFIED:
 DIMENSIONS ARE IN MILLIMETERS

TOLERANCES
 NO DECIMALS ±0.5 MM
 ONE PLACE DECIMAL ±0.2 MM
 TWO PLACE DECIMAL ±0.1 MM
 ANGULAR ±0.5°

DIMENSIONS IN PARENTHESIS FOR REFERENCE ONLY
 INTERPRET GEOMETRIC TOLERANCING PER: ANSI

MATERIAL N/A
 FINISH N/A
 DO NOT SCALE DRAWING



INTEGRATED DEPOSITION SOLUTIONS, Inc.
 609 Osuna Rd, NE, Albuquerque, NM
www.idsnm.com

TITLE:
DESKTOP PRINTER, DUAL MATERIAL, 120V

DWG. NO. _____ REV **B**

SCALE: 1:10 SIZE B SHEET 1 OF 2

6

5

4

3

2

1

6

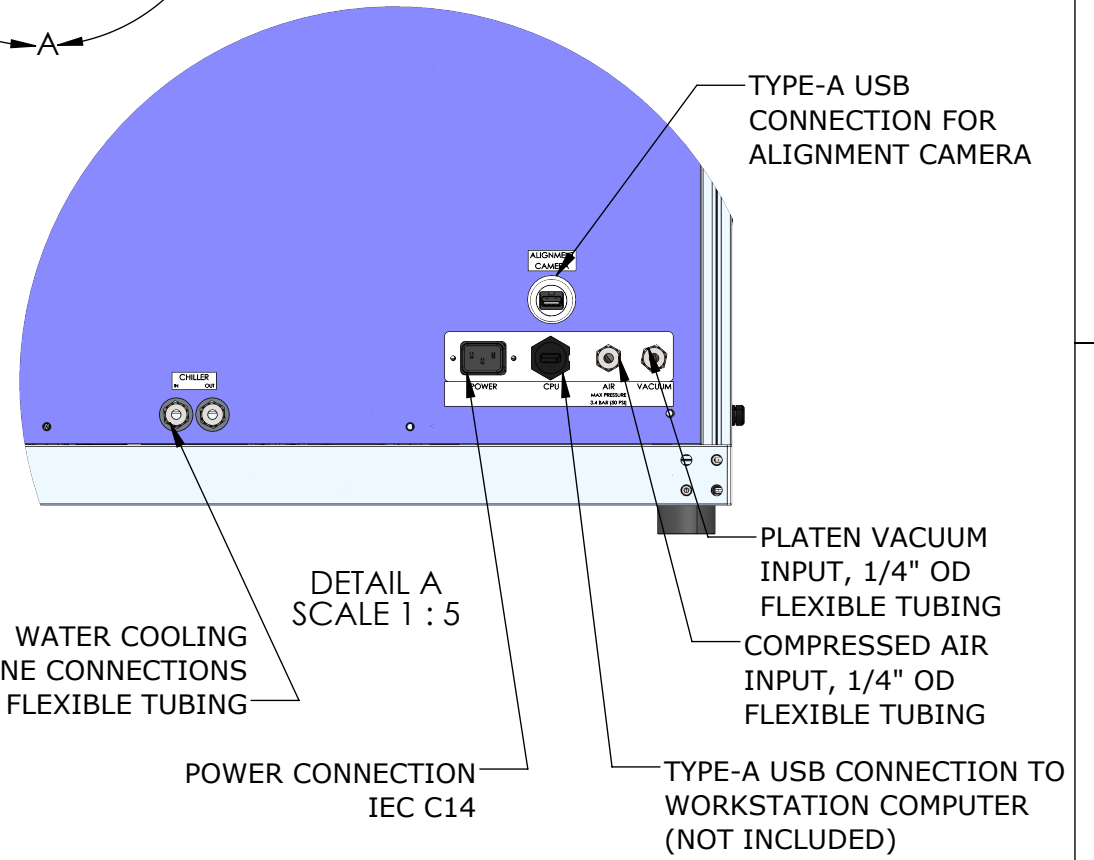
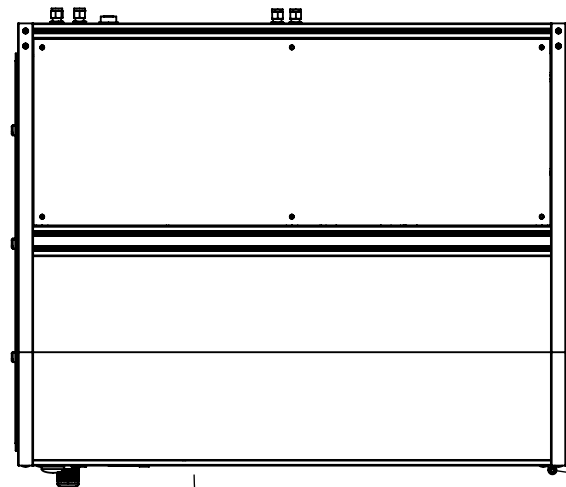
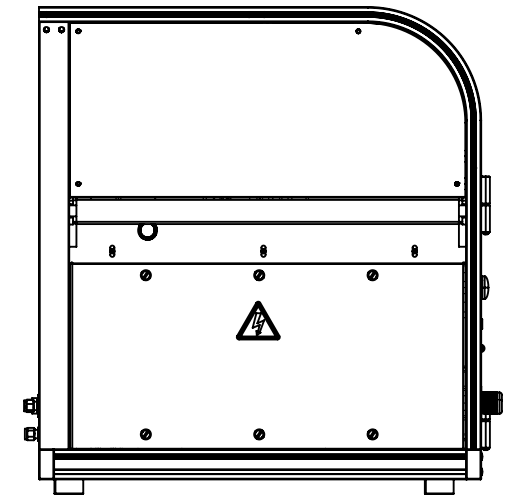
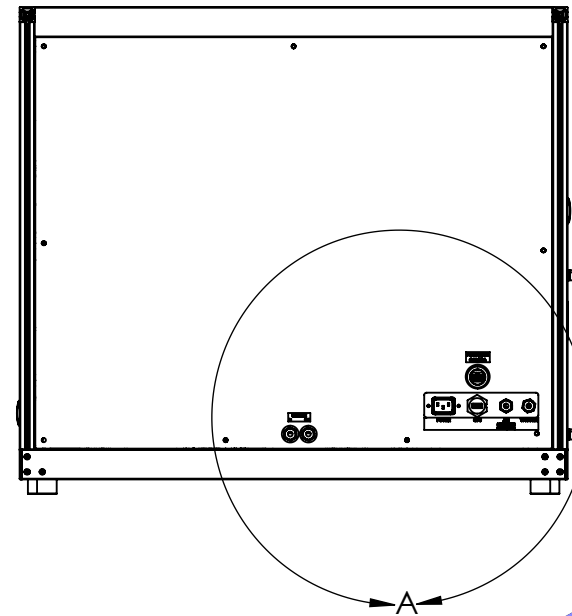
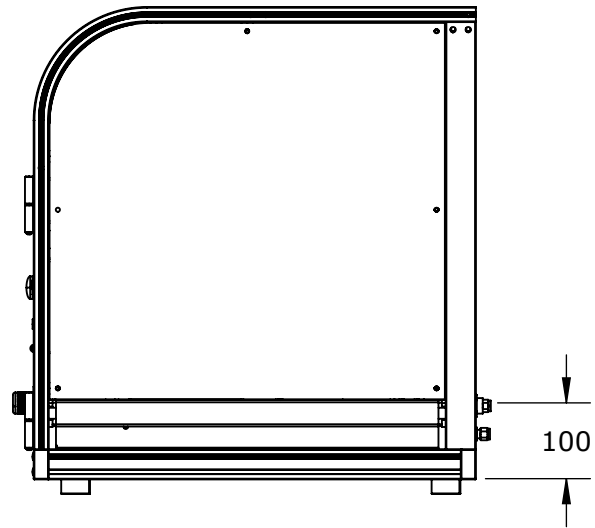
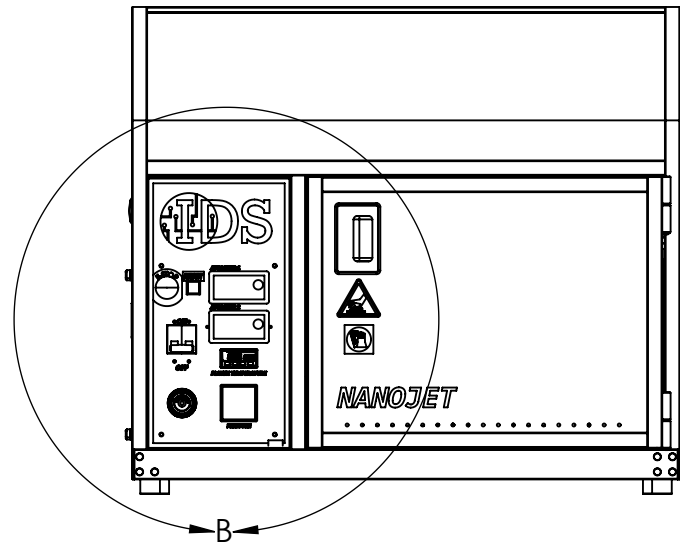
5

4

3

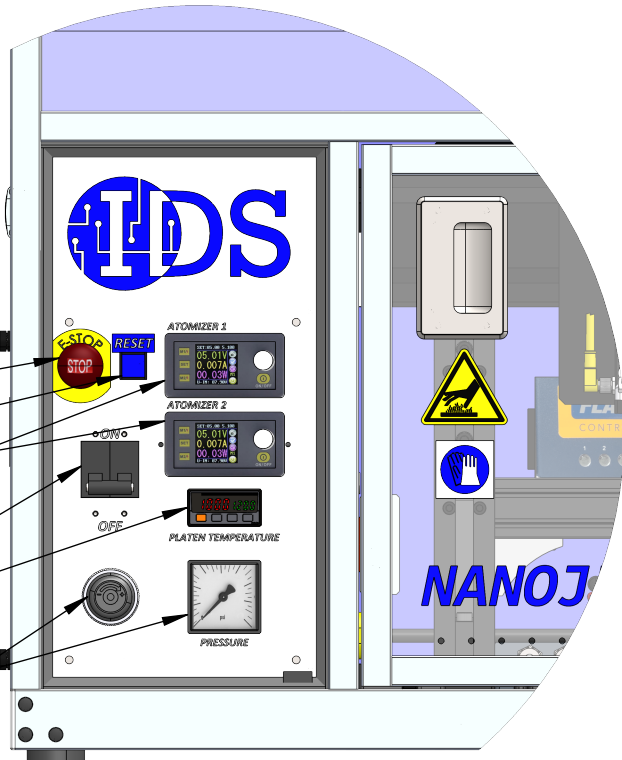
2

1




R474 INTERLOCKED WORK AREA ACCESS DOOR

- EMERGENCY STOP
- EMERGENCY STOP RESET
- ATOMIZER VOLTAGE
- MAIN BREAKER/ POWER SWITCH
- PLATEN TEMPERATURE
- INPUT PRESSURE REGULATOR AND GAUGE



DETAIL B SCALE 1 : 5

 INTEGRATED DEPOSITION SOLUTIONS, Inc. 609 Osuna Rd, NE, Albuquerque, NM www.idsnm.com		
TITLE: DESKTOP PRINTER, DUAL MATERIAL, 120V		
DWG. NO.	REV B	
SCALE: 1:10	SIZE B	SHEET 2 OF 2

6

5

4

3

2

1